



Model

TURBO 315 T - MIX FLOW FAN

Description

315mm inline mix flow duct fan, 2 speed exterior switching, adjustable run on-timer (2-30) minutes and 1.2m 4 pin power cord

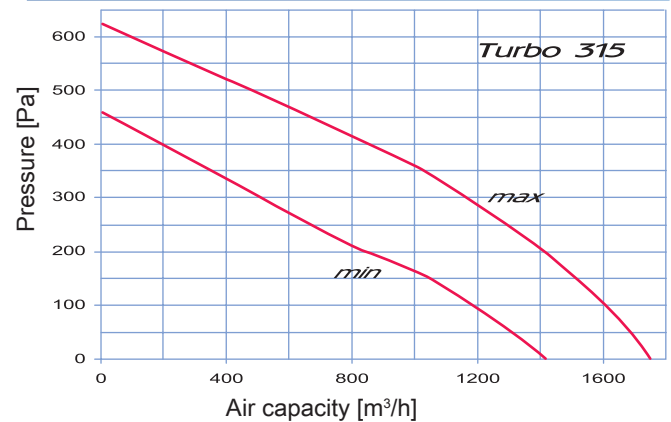
Application

Kitchens / Bathrooms / laundries / Commerical / Industrial

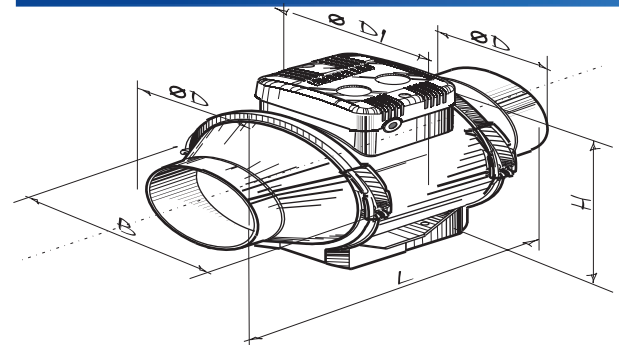
Technical specification

Voltage [V/50 Hz]	220-240 AC
Power [W]	227-315
Current [A]	0.99-1.42
Extract capacity [m ³ /h]	1420-1750
Noise level 3m [dBA]	47-56
r.p.m.	2115-2505
Installation type	Inline duct
Installation position	Any
DN (diameter nominal) [mm]	315
Air flow temperature [°C]	-20 - +60
Index of protection	IP X4
Internal thermal protection	Manual reset
Colour	Blauberg grey
Casing material	Polypropylene
Warranty	5 years

Characteristic curve



Dimensions [mm]



Type	Dimensions [mm]				
	d	d1	b	h	l
Turbo 315 USW1 T	310	323	362	408	445

Sound power levels

Sound pressure level	Octave-frequency band [Hz]								
	Gen	63	125	250	500	1000	2000	4000	8000
LwA to inlet, dBA	80	52	57	65	72	77	77	64	56
LwA to outlet, dBA	80	54	54	66	74	77	75	65	55
LwA to environment, dBA	69	49	49	50	60	66	57	51	36

Ventilation Solutions Australia (VSA) is not responsible for mistakes or printing errors and retain the right to make technical modifications without giving prior notice.

Email: info@ventilationsolutions.com.au
 Phone: 1300 998 326

