



## Model

**TURBO 250 USW1 T - MIX FLOW FAN**

## Description

250mm inline mix flow duct fan, 2 speed exterior switching, adjustable run on-timer (2-30) minutes and 1.2m 4 pin power cord

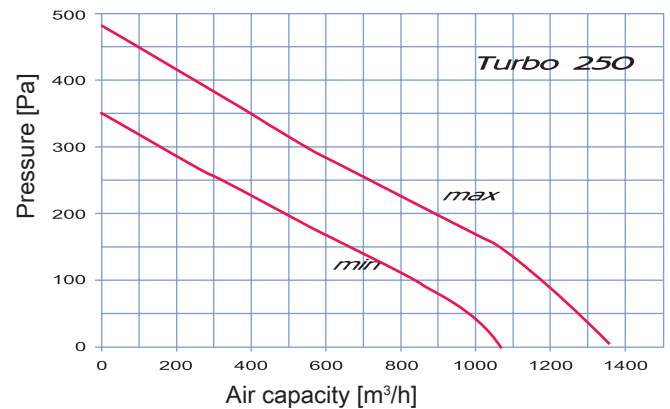
## Application

Kitchens / Bathrooms / laundries / Commerical / Industrial

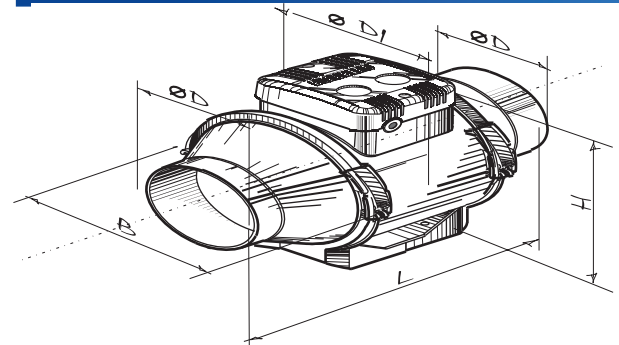
## Technical specification

Voltage [V/50 Hz]	220-240 AC
Power [W]	125-177
Current [A]	0.54-0.79
Extract capacity [m <sup>3</sup> /h]	1070-1360
Noise level 3m [dBA]	47-55
r.p.m.	1955-2440
Installation type	Inline duct
Installation position	Any
DN (diameter nominal) [mm]	250
Air flow temperature [°C]	-20 - +60
Index of protection	IP X4
Internal thermal protection	Manual reset
Colour	Blauberg grey
Casing material	Polypropylene
Warranty	5 years

## Characteristic curve



## Dimensions [mm]



Type	Dimensions [mm]				
	d	d1	b	h	l
Turbo 250 USW1 T	247	257	287	323	383

## Sound power levels

Sound pressure level	Octave-frequency band [Hz]								
	Gen	63	125	250	500	1000	2000	4000	8000
LwA to inlet, dBA	79	51	62	65	71	74	75	63	55
LwA to outlet, dBA	78	53	52	64	72	75	74	64	54
LwA to environment, dBA	68	47	48	48	60	62	54	49	54

Ventilation Solutions Australia (VSA) is not responsible for mistakes or printing errors and retain the right to make technical modifications without giving prior notice.

Email: [info@ventilationsolutions.com.au](mailto:info@ventilationsolutions.com.au)  
 Phone: 1300 998 326

