



Model

TURBO 150 USW1 T - MIX FLOW FAN

Description

150mm inline mix flow duct fan, 2 speed exterior switching, adjustable run on-timer (2-30) minutes and 1.2m 4 pin power cord

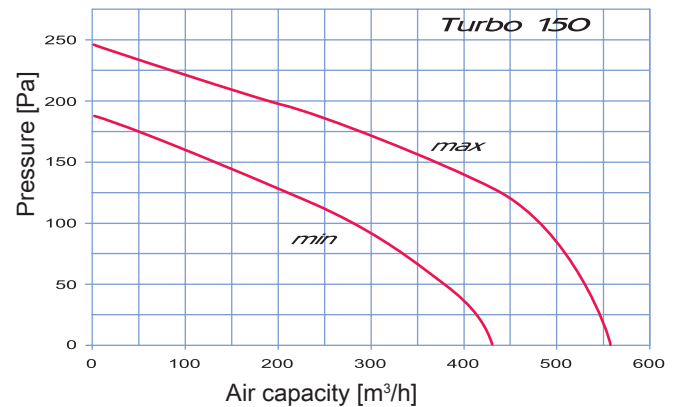
Application

Kitchens / Bathrooms / Toilets / Ensuites / laundries / Commerical

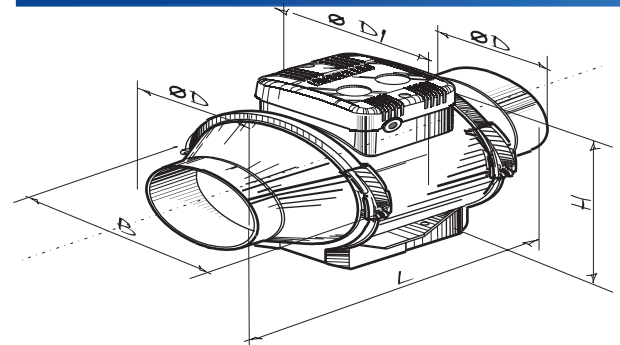
Technical specification

Voltage [V/50 Hz]	220-240 AC
Power [W]	42-50
Extract capacity [m ³ /h]	430-560
Noise level 3m [dBA]	34-45
r.p.m.	1940-2620
Installation type	Inline duct
Installation position	Any
DN (diameter nominal) [mm]	150
Air flow temperature [°C]	-20 - +60
Index of protection	IP X4
Internal thermal protection	Manual reset
Colour	Blauberg grey
Casing material	Polypropylene
Warranty	5 years

Characteristic curve



Dimensions [mm]



Type	Dimensions [mm]				
	d	d1	b	h	l
Turbo 150 USW1 T	148	187	220	251	289

Sound power levels

Sound pressure level	Octave-frequency band [Hz]								
	Gen	63	125	250	500	1000	2000	4000	8000
LwA to inlet, dBA	54	36	34	40	45	51	48	41	25
LwA to outlet, dBA	64	39	40	55	57	58	63	56	44
LwA to environment, dBA	67	38	40	52	57	57	63	55	42

Ventilation Solutions Australia (VSA) is not responsible for mistakes or printing errors and retain the right to make technical modifications without giving prior notice.

Email: info@ventilationsolutions.com.au
 Phone: 1300 998 326

