



Model

TURBO 125 USW1 T - MIX FLOW FAN

Description

125mm inline mix flow duct fan, 2 speed exterior switching, adjustable run on-timer (2-30) minutes and 1.2m 4 pin power cord

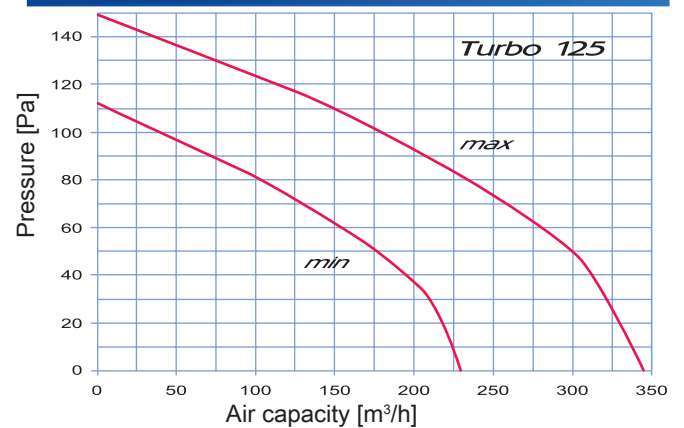
Application

Bathrooms / Toilets / Ensuites / laundries / Commerical / Apartments

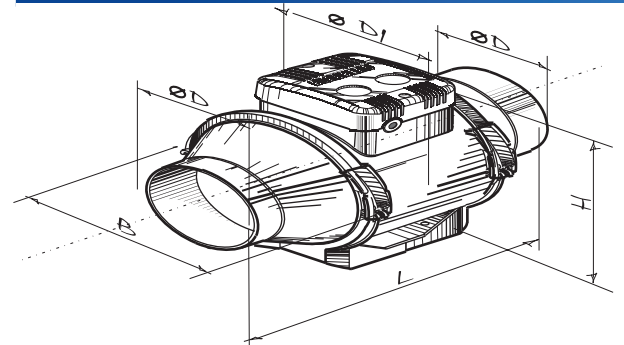
Technical specification

Voltage [V/50 Hz]	220-240 AC
Power [W]	25-30
Current [A]	0.11-0.13
Extract capacity [m ³ /h]	230-345
Noise level 3m [dBA]	27-32
r.p.m.	1935-2265
Installation type	Inline duct
Installation position	Any
DN (diameter nominal) [mm]	125
Air flow temperature [°C]	-20 - +60
Index of protection	IP X4
Internal thermal protection	Manual reset
Colour	Blauberg grey
Casing material	ABS plastic
Warranty	5 years

Characteristic curve



Dimensions [mm]



Type	Dimensions [mm]				
	d	d1	b	h	l
Turbo 125 USW1 T	123	164	196	241	258

Sound power levels

Sound pressure level	Octave-frequency band [Hz]								
	Gen	63	125	250	500	1000	2000	4000	8000
LwA to inlet, dBA	51	25	24	41	47	49	50	39	32
LwA to outlet, dBA	53	25	20	42	45	49	48	42	32
LwA to environment, dBA	39	21	24	28	32	40	33	28	20

Ventilation Solutions Australia (VSA) is not responsible for mistakes or printing errors and retain the right to make technical modifications without giving prior notice.

Email: info@ventilationsolutions.com.au
 Phone: 1300 998 326

