



Model

ISO MIX 250 USW1 - SILENT MIX FLOW FAN

Description

250mm inline silent mix flow duct fan, 2 speed switching & 1.2m power cord

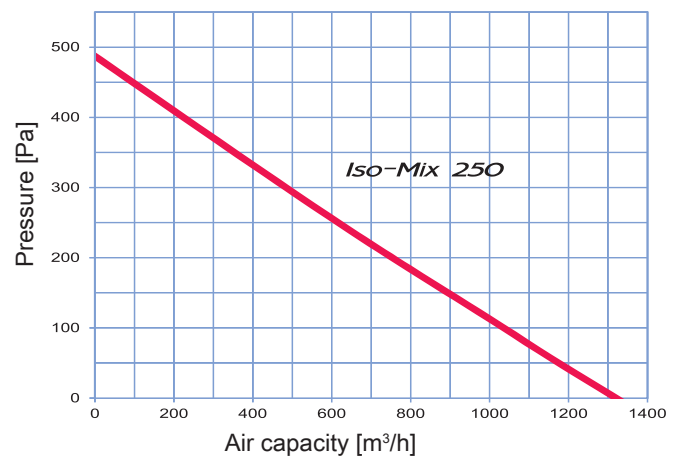
Application

Kitchens / Commercial / Apartments / Industrial

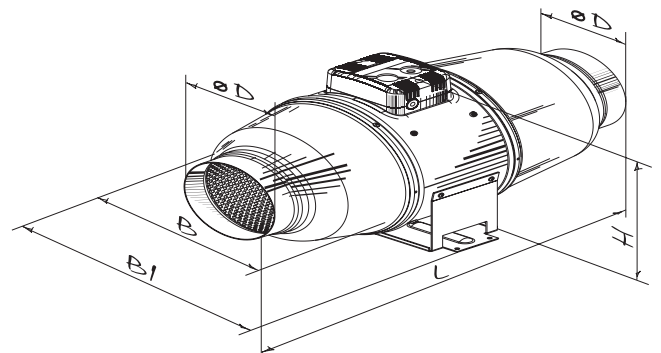
Technical specification

Voltage [V/50 Hz]	220-240 AC
Power [W]	127-178
Current [A]	0.52-0.79
Extract capacity [m ³ /h]	1035-1315
Noise level 3m [dBA]	34-38
r.p.m.	1960-2460
Installation type	Inline duct
Installation position	Any
DN (diameter nominal) [mm]	250
Air flow temperature [°C]	-25 - +60
Index of protection	IP X4
Internal thermal protection	Manual reset
Colour	Blauberg grey
Casing material	Polymer- coated steel
Warranty	5 years

Characteristic curve



Dimensions [mm]



Type	Dimensions [mm]				
	d	b	b1	l	h
ISO MIX 250 USW1	248	358	445	658	360

Sound power levels

Sound pressure level	Octave-frequency band [Hz]								
	Gen	63	125	250	500	1000	2000	4000	8000
LwA to inlet, dBA	65	29	41	57	60	61	58	55	51
LwA to outlet, dBA	75	31	45	58	65	73	65	53	47
LwA to environment, dBA	55	25	33	48	41	53	49	41	29

Ventilation Solutions Australia (VSA) is not responsible for mistakes or printing errors and retain the right to make technical modifications without giving prior notice.

Email: info@ventilationsolutions.com.au
 Phone: 1300 998 326

