



Model

ISO MIX 200 USW1 - SILENT MIX FLOW FAN

Description

200mm silent inline mix flow duct fan, 2 speed switching & 1.2m power cord

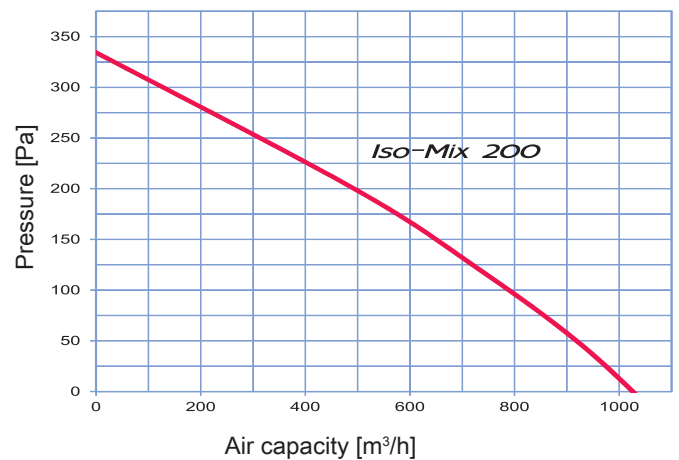
Application

Kitchens / Commercial / Apartments / Industrial

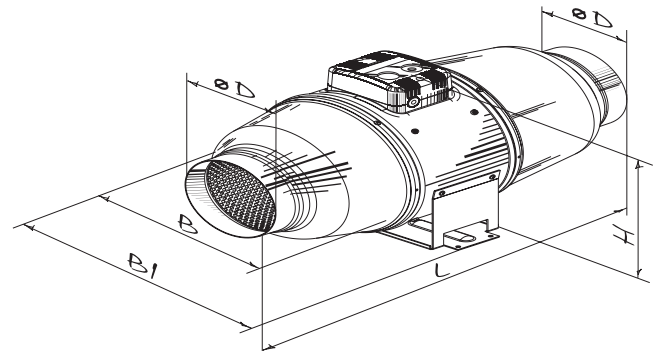
Technical specification

Voltage [V/50 Hz]	220-240 AC
Power [W]	78-110
Current [A]	0.35-0.49
Extract capacity [m ³ /h]	790-1035
Noise level 3m [dBA]	31-36
r.p.m.	2000-2460
Installation type	Inline duct
Installation position	Any
DN (diameter nominal) [mm]	200
Air flow temperature [°C]	-25 - +60
Index of protection	IP X4
Internal thermal protection	Manual reset
Colour	Blauberg grey
Casing material	Polymer- coated steel
Warranty	5 years

Characteristic curve



Dimensions [mm]



Type	Dimensions [mm]				
	d	b	b1	l	h
ISO MIX 200 USW1	198	293	386	550	295

Sound power levels

Sound pressure level	Octave-frequency band [Hz]								
	Gen	63	125	250	500	1000	2000	4000	8000
LwA to inlet, dBA	62	26	38	54	57	58	55	52	48
LwA to outlet, dBA	65	28	42	48	62	60	62	50	44
LwA to environment, dBA	45	22	30	31	38	41	42	29	22

Ventilation Solutions Australia (VSA) is not responsible for mistakes or printing errors and retain the right to make technical modifications without giving prior notice.

Email: info@ventilationsolutions.com.au
 Phone: 1300 998 326

