



Model

AW 920 MAX - HEADER BOX FAN

Description

Ceiling mounted side discharge centrifugal fan with 1.0m power cord

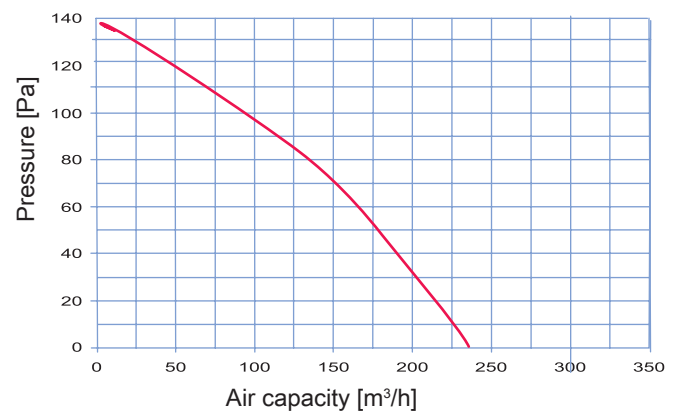
Application

Kitchens / Bathrooms / laundries / Ensuites / Toilets/ Apartments

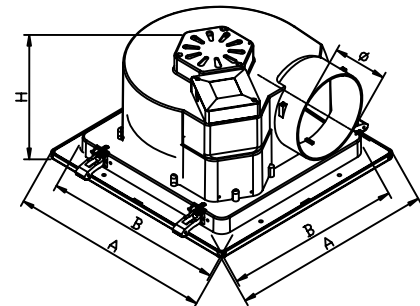
Technical specification

Voltage [V/50 Hz]	240 AC
Power [W]	30
Current [A]	0.15
Extract capacity [m ³ /h]	234
Noise level 3m [dBA]	45
r.p.m.	1840
Installation type	Ceiling
Installation position	Ceiling
DN (diameter nominal) [mm]	125
Air flow temperature [°C]	-10 + 45
Index of protection	IP24
Internal thermal protection	Fuse
Colour	White grille
Casing material	ABS plastic
Warranty	2 years

Characteristic curve



Dimensions [mm]



Type	Dimensions [mm]			
	a	b	H	O
AW 920 MAX	320	275	155	125

Ventilation Solutions Australia (VSA) is not responsible for mistakes or printing errors and retain the right to make technical modifications without giving prior notice.

Email: info@ventilationsolutions.com.au
Phone: 1300 998 326